

# *SpeedROC D30*

Surface drill rig for marble, granite, and limestone  
in the dimension stone industry.

Hole diameter: 70 – 105 mm (2 ¾" – 4 ¼")

*Atlas Copco*



# SPEED UP YOUR PROFITS

*SpeedROC D30 is a versatile and flexible drill rig, tailor-made for the dimension stone industry. It is capable of drilling straight, vertical and horizontal holes that enable diamond wire cutting.*

Tramming, rotation and feed is activated by an on-board engine and a well-matched external compressor runs the down-the-hole hammer.

SpeedROC D30's special design makes it capable of drilling horizontal holes with minimum ground clearance from both right and left directions.



## + MAIN BENEFITS

- Tailor-made** for the dimension stone industry
- Drills straight holes** just 8 cm from the ground to the hole center
- Quick positioning time** and low fuel consumption



# REDEFINE YOUR DRILLING

SpeedROC D30 redefines the way you drill in the dimension stone quarries for the wire-saw application. It is capable of drilling horizontal holes with a ground clearance of just 8 cm from center of the hole for both right and left feed directions.



## + FLEXIBILITY TO DO MORE

SpeedROC D30 is a self-propelled, 4-wheel driven rig, extremely stable while tramping. Thanks to the skid-steer mechanism, it negotiates some of the toughest quarry conditions with ease. It saves fuel and time as well, you no more need to waste time in towing or transporting the traditional pneumatic drills to the drilling site.



## + SIMPLICITY AT WORK

The machine comes with a swing control panel for drilling and boom movements. As an option, it can be equipped with an easy to handle rod rack that holds 10 rods, each up to 2 m in length. All the drilling controls are well within reach and are simple yet effective for drilling cleaner and accurate holes.



## + SAFER OPERATIONS

The SpeedROC D30 boasts of a number of safety features. Four support legs, dual emergency stop wires and safety handle grabs are some of the features that ensures safer working conditions. The machine also comes with a Radio Remote Control (RRC) as a standard feature, to make the work simpler and safer.

## ATLAS COPCO SERVICE

Even the best equipment requires regular service to ensure optimal performance. Atlas Copco provides service solutions to safeguard an optimized relationship between productivity, availability and operational cost. Atlas Copco Mining and Rock Excavation Technique has over 3 300 technicians located in over 80 countries. By combining the usage of Atlas Copco genuine parts with service provided by a certified Atlas Copco technician, you'll have a winning combination no matter of where in the world you operate.



## TECHNICAL SPECIFICATIONS

### MAIN COMPONENTS

- 4 cylinder, 26.2 kW Kubota engine
- Dust collector
- Double tramping station: Radio remote control (RRC) or on-board control
- Customized rotation unit designed for DSI application
- Swing arm control panel (drilling and boom functions)
- 4 hydraulic legs to stabilize the rig during positioning and drilling
- Chain feed system
- Gull wing canopy doors
- 2 emergency wire stops on the feed
- Tramping lights
- Hydraulic system with LS pump for lower fuel consumption

### HOLE RANGE

Recommended DTH hammers and hole range	Metric	Imperial
COP 20, COP 32, COP 35	70 – 105 mm	2 ¾" – 4 ¼"
Drill pipe		
Diameter	63 mm, 76 mm	2 ½" – 3"
Length	1.5 or 2 m	4.9 or 6.6 ft

### ENGINE

Kubota V1505	Metric	Imperial
Power rating at 3000 rpm	26.2 kW	35.1HP

### CARRIER

	Metric	Imperial
Tramping speed, max	5 km/h	3.0 mph
Tramping angles downward/upward max	15°	cannot be combined
Tramping angles laterally, max (left, right)	10°	cannot be combined
Ground clearance	230 mm	0.75 ft

### HYDRAULIC SYSTEM

	Metric	Imperial
Ambient temperature	- 20°C / + 45°C	24.8 °F / + 113°F
Pumps		
Pistons variable displ with LS control	45 cc	
Gear pump	18 cc	

### FEED

Chain feed, hydraulically driven	Metric	Imperial
Feed extension	1 200 mm	4 ft
Feed force, max	10 kN	2 248 lbf
Tractive pull, max	10 kN	2 248 lbf
Total length	3 530 mm	11.5 ft
Travel length	2 150 mm	7 ft

### ELECTRICAL SYSTEM

Voltage	12 V	
Batteries	2 x 12 V	
Alternator	12 V	
Sound alarm and flash light	Yes	
Tramping lights, front	2 x 55 W	
Tramping lights, rear	2 x 55 W	

### DUST COLLECTOR

Filtering area	6 m <sup>2</sup>	65 sq.ft
Suction capacity	800 m <sup>3</sup> /h	471 cfm
Number of filters	2	
Suction hose diam	100 mm	0.3 ft
Auto-cleaning filters		

### CONTROL SYSTEM

Electronically controlled	
Radio Remote Control (RRC)	
Drilling low start concerning feed, rotation and percussion	

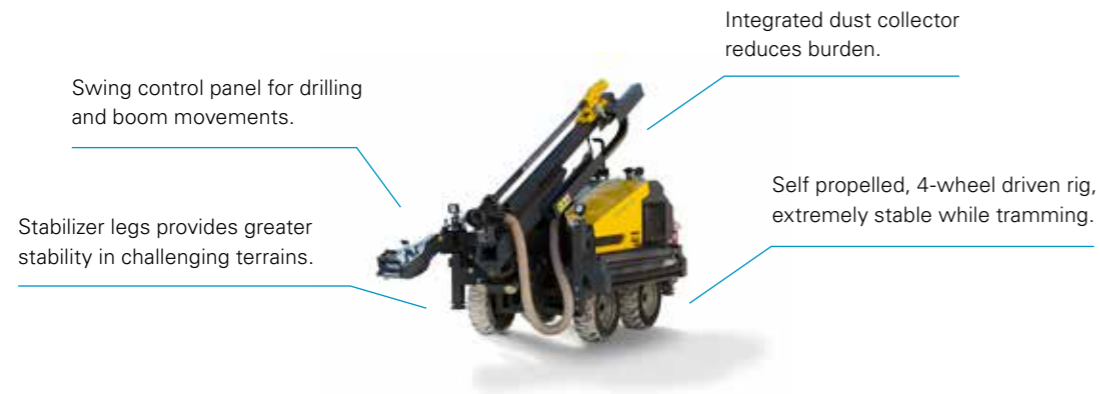
### VOLUMES

	Metric	Imperial
Hydraulic oil tank	50 l	13.2 US gal
Hydraulic oil, total	70 l	18.5 US gal
Lubrication tank	2.4 l	0.63 US gal
Diesel engine oil	6 l	1.5 US gal
Diesel tank	58 l	15.3 US gal

### DRILLING UNIT

Oil pre-heating system	
Oil cooling system	
Proportional control hydraulic valves	
10 micron absolute filtration rate	

**SpeedROC D30**



**COMPRESSOR RECOMMENDATION**

COP 20	Operating pressure	Air consumption
XAZ 57Dd	7 bar	50 l/s
XATS 156	10 bar	166 l/s
XAHS 107	12 bar	106 l/s
COP 35	Operating pressure	Air consumption
XAS 77Dd	7 bar	72 l/s
XATS 156	10 bar	166 l/s
XAHS 107	12 bar	106 l/s
XAVS 166	14 bar	158 l/s

**EXTERNAL AIR REQUIREMENT**

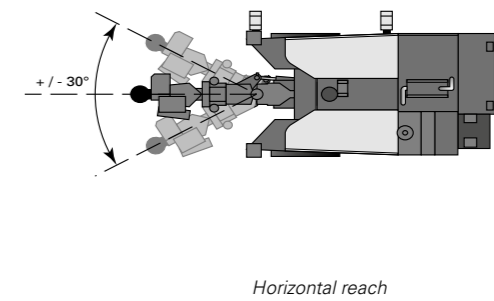
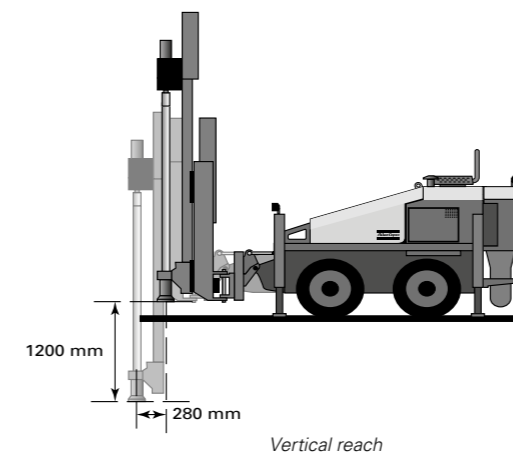
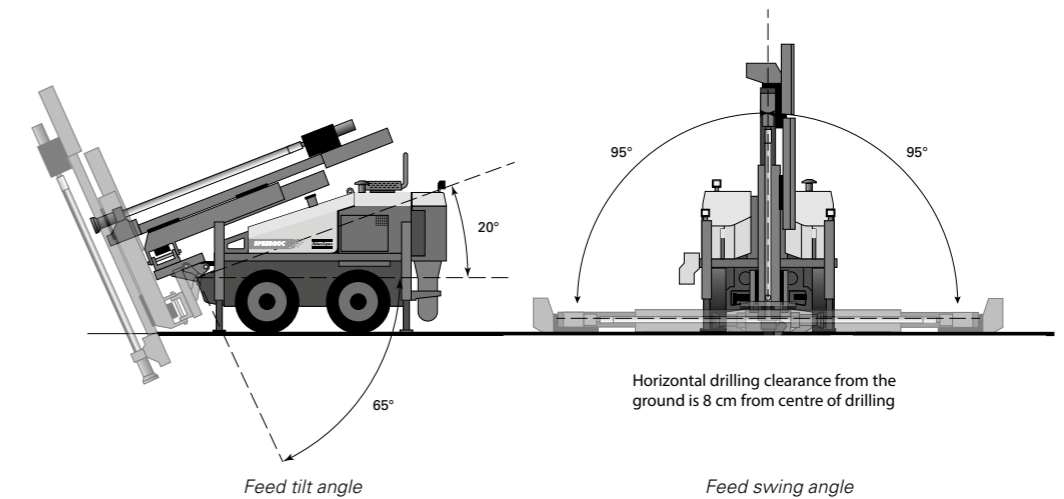
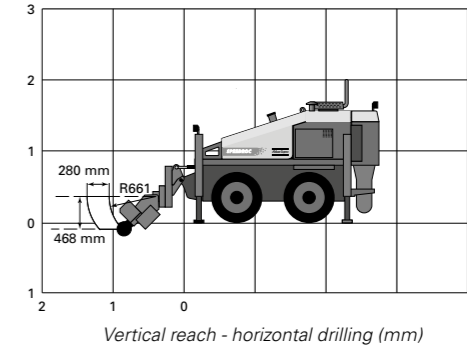
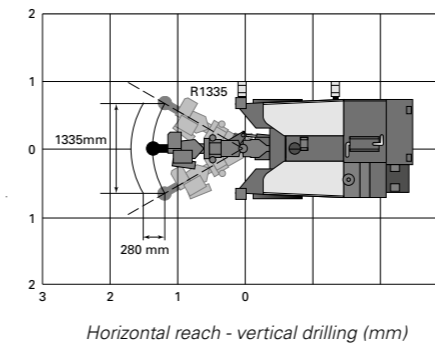
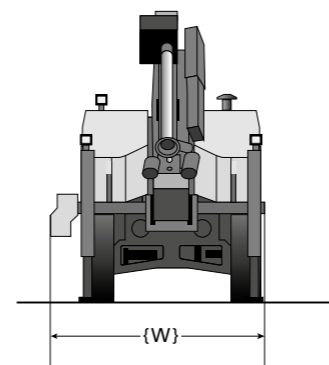
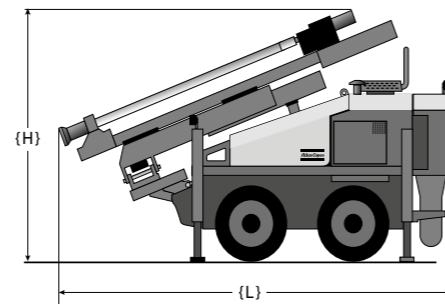
- Air requirement is dependent on the air pressure and hammer size used. Please consult your local Atlas Copco representative for selection of the right compressor. Max working pressure: 14 bars.

**HEIGHT AND LENGTH**

Height (H)	2 200 mm	7' 2"
Length (L)	4 850 mm	16'
Width (W)	1 950 mm	6' 4"

**WEIGHT**

	Metric	Imperial
Standard unit excluding all options and drill steel	3 100 kg	6 834 lb



**OPTIONAL EQUIPMENT**

**Rod rack**

- 10 rods
- 1.5 or 2 m long
- Can be positioned on either side of the machine

## *Committed to sustainable productivity*

We stand by our responsibilities towards our customers,  
towards the environment and the people around us.

We make performance stand the test of time.  
This is what we call – Sustainable Productivity.

[www.atlascopco.com](http://www.atlascopco.com)

The Atlas Copco logo consists of the brand name "Atlas Copco" in a white, italicized serif font, centered between two horizontal white bars of equal length.