

HIAB X-HIPRO 658



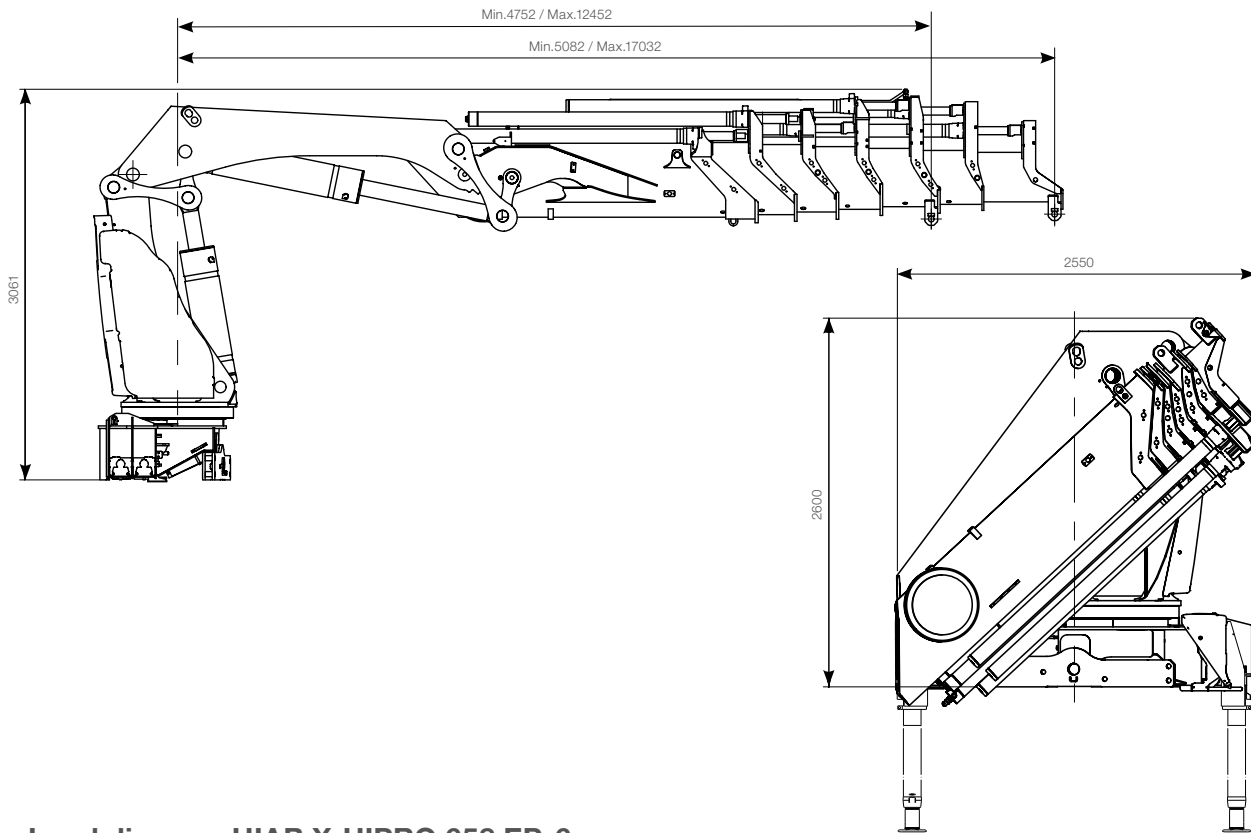
HIAB X-HIPRO 658 BASIC DATA

Technical data	HIAB X-HIPRO 658 EP-6
Max. lifting capacity (kNm)	544
Outreach, hydraulic extensions (m)	17
Outreach - Lifting capacity, hydraulic extension First boom 10 deg, Second boom horizontal	5.1 / 10900 6.7 / 8000 8.6 / 6000 10.6 / 4750 12.7 / 3850 14.7 / 3250 16.9 / 2820
Slewing angle (°)	endless
Height in folded position (mm)	2600
Width in folded position (mm)	2550
Installation space needed (mm)	1507
Installation space needed (including rotation space) (mm)	1595
Weight, "standard" crane, without stabilisers (kg)	5545
Weight, frame attachments (kg)	78-123
Weight, stabiliser equipment, 9 m span (kg)	1015-1123

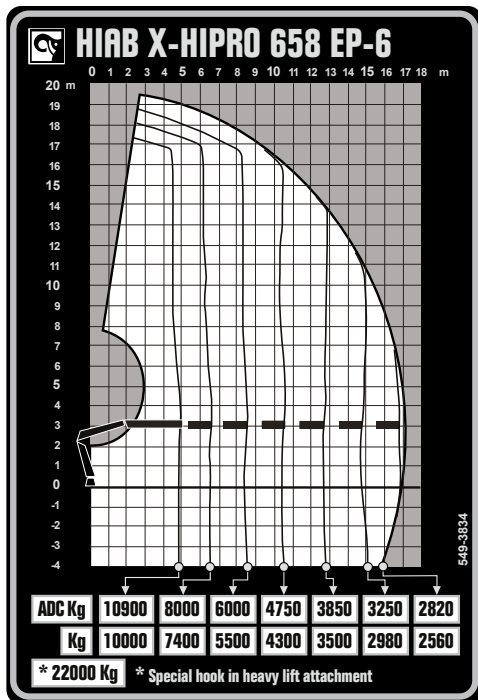
This table shows a few examples of models, and represents some of all options available. With the opportunity to configure your crane, we can provide you with a crane perfectly tailored to your needs.

Please contact your local dealer for more information on the variety of options we can offer.

HIAB X-HIPRO 658 EP-6



Load diagram HIAB X-HIPRO 658 EP-6



BUILT TO PERFORM

Hiab is the world's leading provider of on-road load handling equipment. Customer satisfaction is the first priority for us. Hiab's product range includes HIAB loader cranes, JONSERED recycling and forestry cranes, LOGLIFT forestry cranes, MOFFETT truck mounted forklifts and MULTILIFT demountables, as well as DEL, WALTCO and ZEPRO tail lifts.

hiab.com

Hiab is part of Cargotec.

cargotec.com



BD-668-EN-EU_151013



hiab.com