

# HIAB X-HIDUO 138



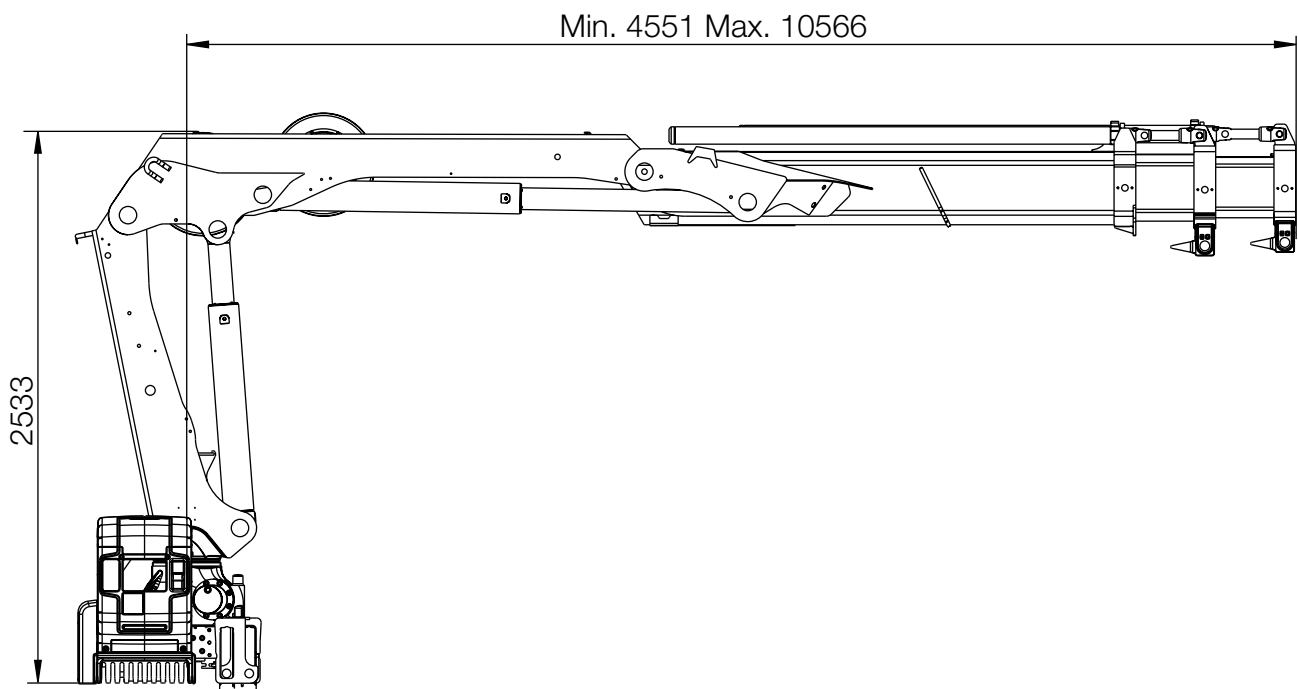
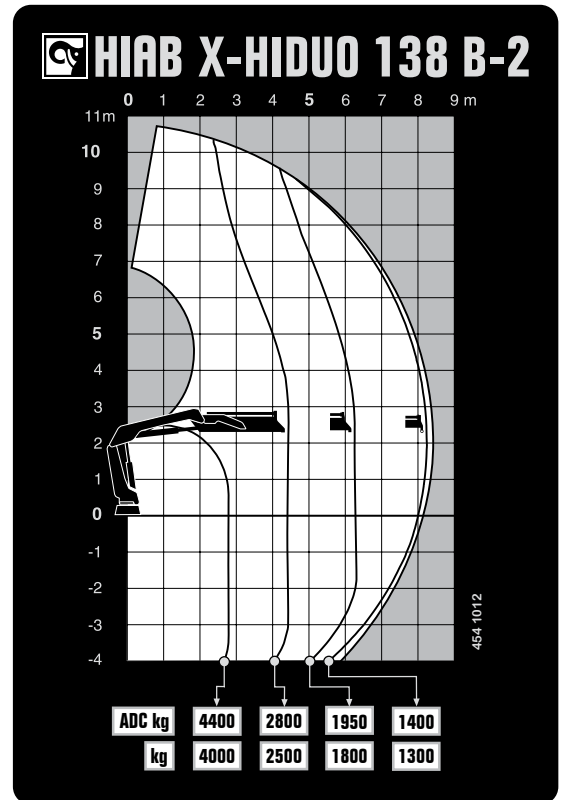
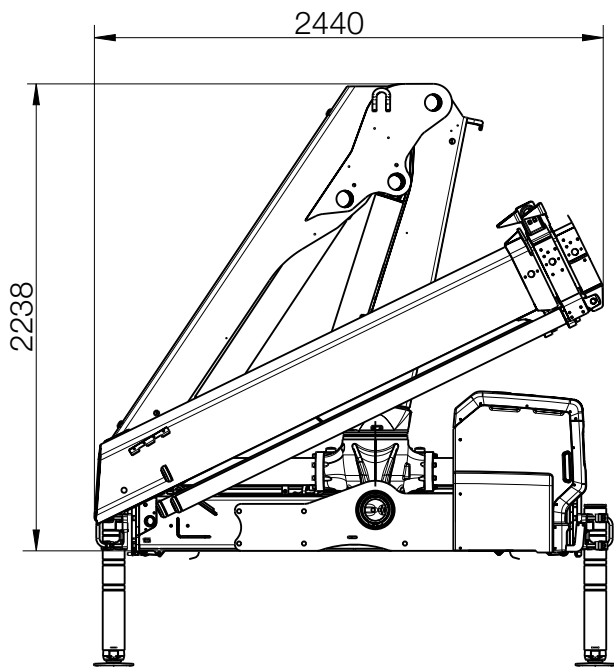
# HIAB X-HIDUO 138 BASIC DATA

BASIC DATA	X-HiDuo 138 B-2	X-HiDuo 138 B-3	X-HiDuo 138 E-3	X-HiDuo 138 E-5
Mdyn	153 kNm	155 kNm	156 kNm	159 kNm
Lifting capacity (kNm)	110	108	105	99
Lifting capacity (tm)	11,2	11	10,7	10,1
Lifting capacity (ADC) (kNm)	121	117	117	108
Lifting capacity (ADC) (tm)	12,3	11,9	11,9	11
Outreach - lifting capacity, standard (m-kg)	2,8 - 4 400	3 - 3 950	2,5 - 4 700	2,6 - 4 200
	4,4 - 2 800	4,5 - 2 650	4,6 - 2 600	4,8 - 2 300
	6,2 - 1 950	6,3 - 1 850	6,4 - 1 800	6,6 - 1 580
	8,2 - 1 450	8,3 - 1 350	8,3 - 1 340	8,5 - 1 140
		10,3 - 1 050	10,4 - 1 060	10,6 - 860
				12,8 - 680
15 - 560				
Outreach - lifting capacity, manual extensions(m-kg)	10,3 - 1 100	12,5 - 820	12,6 - 840	17,3 - 440
Hydraulic outreach, standard (m)	8,4	10,6	10,5	15,1
Hydraulic boom extension (m)	3,9 m	5,9 m	5,9 m	10,3 m
Outreach, manual extensions (m)	0	12,8	0	17,4
Lifting height above installation level, hydr/man (m)	10,8 / 15,2	13,0 / 15,2	12,9 / 19,8	17,5 / 19,8
Rec. oil flow (l/min)	50 - 60	50 - 60	50 - 60	50 - 60
Working pressure (Mpa)	29,5	29,5	29,5	29,5
Oil in tank (l)	70 - 200	70 - 200	70 - 200	70 - 200
Tank capacity (l)	0 - 235	0 - 235	0 - 235	0 - 235
Slewing angle (°)	415	415	415	415
Max slope viable at full capacity (°)	6	6	6	6
Slewing torque, gross (kNm)	16,4	16,4	16,4	16,4
Slewing speed 80 (°/s)	15	15	15	15
Slewing speed (°/s)	15	15	15	15
Lifting speed at standard hydraulic outreach (m/s)	1,4	1,7	1,7	2,5
Height in folded position (mm)	2 238	2 238	2 261	2 261
Width in folded position (mm)	2 440	2 498	2 426	2 505
Install space required with hose and pipe kit (mm)	1 020	1 018	1 023	1 024
Crane in standard version without stabiliser system (kg)	1 440	1 560	1 770	1 960
Frame attachments (kg)	32 - 65	32 - 65	32 - 65	32 - 65
Stabiliser system equipment (kg)	244 - 385	244 - 385	244 - 385	244 - 385

This table show one example of a model, and represents some of all options available. With the opportunity to configure your crane, we can provide you with a crane perfectly tailored to your needs.

Please contact your local dealer for more information and the exact data on the variety of options we can offer.

Hiab X-HIDUO 138 B-2



# BUILT TO PERFORM

Hiab is the world's leading provider of on-road load handling equipment. Customer satisfaction is the first priority for us. Hiab's product range includes HIAB loader cranes, JONSERED recycling and forestry cranes, LOGLIFT forestry cranes, MOFFETT truck mounted forklifts and MULTILIFT demountables, as well as DEL, WALTCO and ZEPRO tail lifts.

[hiab.com](http://hiab.com)

Hiab is part of Cargotec.

[cargotec.com](http://cargotec.com)



© BD-XHIDUO138-EN-WW\_160610



[hiab.com](http://hiab.com)