

# HIAB X-HIPRO 232



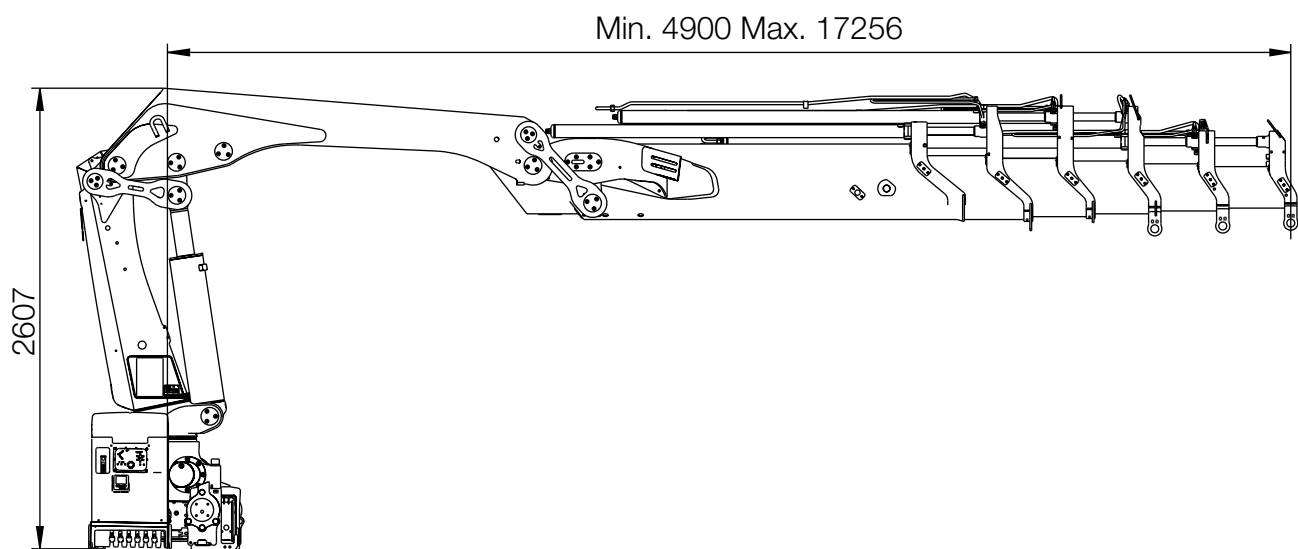
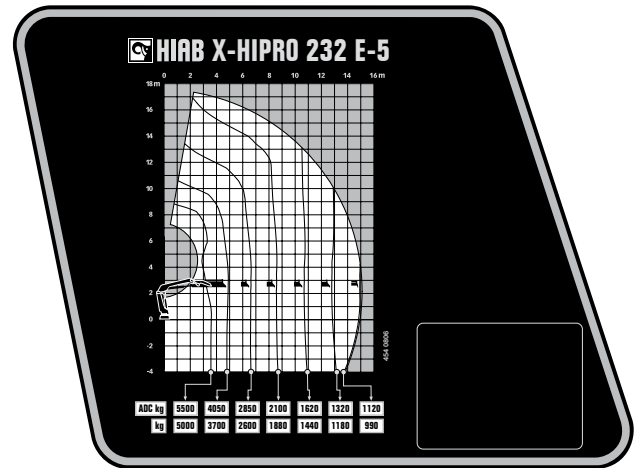
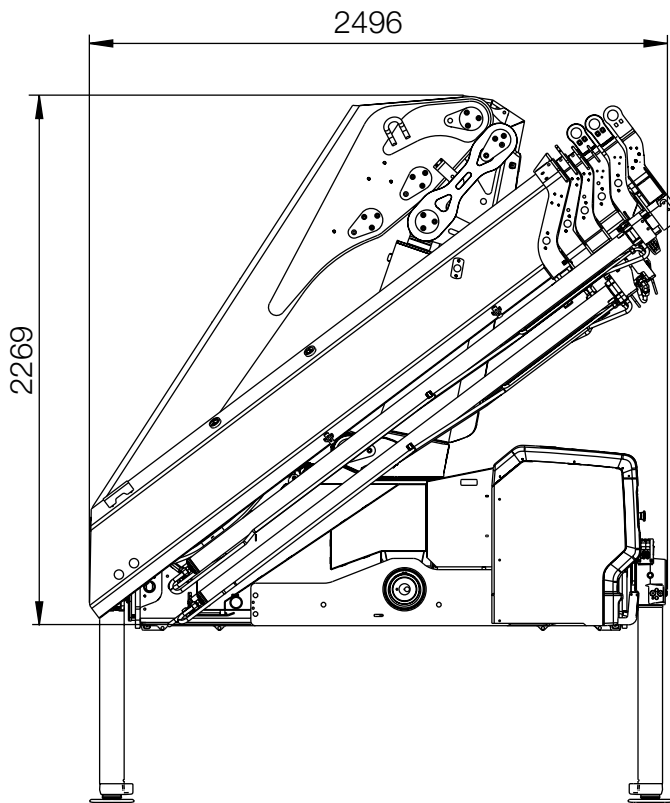
# HIAB X-HIPRO 232 BASIC DATA

BASIC DATA	X-HiPro 232 E-3	X-HiPro 232 E-4	X-HiPro 232 E-5	x-HiPro 232 E-6
Mdyn	249 kNm	249 kNm	250 kNm	250 kNm
Lifting capacity (kNm)	186	181	177	174
Lifting capacity (tm)	19	18,5	18,1	17,7
Lifting capacity (ADC) (kNm)	203	199	194	191
Lifting capacity (ADC) (tm)	20,7	20,2	19,8	19,4
Outreach - lifting capacity, standard (m-kg)	<5 900	3,5 - 5 800	3,6 - 5 500	3,6 - 4 900
	4,7 - 4 400	4,7 - 4 300	4,9 - 4 050	4,9 - 3 950
	6,5 - 3 100	6,5 - 3 000	6,6 - 2 850	6,7 - 2 700
	8,5 - 2 340	8,5 - 2 220	8,6 - 2 100	8,6 - 2 000
	10,5 - 1 880	10,5 - 1 760	10,7 - 1 620	10,6 - 1 520
		12,6 - 1 460	12,8 - 1 320	12,7 - 1 220
			15 - 1 120	14,9 - 1 020
			17,2 - 870	
Outreach - lifting capacity, manual extensions (m-kg)	12,7 - 1 500	14,9 - 1 160	17,4 - 560	19 - 420
Hydraulic outreach, standard (m)	10,6	12,8	15,1	17,3
Hydraulic boom extension (m)	5,9 m	8,0 m	10,2 m	12,4 m
Outreach, manual extensions (m)	0	0	0	0
Lifting height above installation level, hydr/man. (m)	13,1 / 15,3	15,2 / 17,5	17,6 / 19,9	19,8 / 21,6
Rec. oil flow (l/min)	60 - 200	60 - 200	60 - 200	60 - 200
Working pressure (Mpa)	34,5	34,5	34,5	34,5
Oil in tank (l)	92 - 200	92 - 200	92 - 200	92 - 200
Tank capacity (l)	0 - 235	0 - 235	0 - 235	0 - 235
Slewing angle (°)	415	415	415	415
Max slope viable at full capacity (°)	5	5	5	5
Slewing torque, gross (kNm)	28,3	28,3	28,3	28,3
Slewing speed 80(°/s)	16	16	16	16
Slewing speed (°/s)	16	16	16	16
Lifting speed at standard hydraulic outreach (m/s)	1,8	2,1	2,5	2,9
Height in folded position (mm)	2 269	2 269	2 269	2 269
Width in folded position (mm)	2 485	2 485	2 496	2 496
Install space required with hose and pipe kit (mm)	1 056	1 056	1 062	1 166
Crane in standard version without stabiliser system (kg)	2 120	2 260	2 380	2 510
Frame attachments (kg)	40 - 65	40 - 65	40 - 65	40 - 65
Stabiliser system (kg)	271 - 428	271 - 428	271 - 428	271 - 428

This table show one example of a model, and represents some of all options available. With the opportunity to configure your crane, we can provide you with a crane perfectly tailored to your needs.

Please contact your local dealer for more information and the exact data on the variety of options we can offer.

# Hiab X-HIPRO 232 E-5



# BUILT TO PERFORM

Hiab is the world's leading provider of on-road load handling equipment. Customer satisfaction is the first priority for us. Hiab's product range includes HIAB loader cranes, JONSERED recycling and forestry cranes, LOGLIFT forestry cranes, MOFFETT truck mounted forklifts and MULTILIFT demountables, as well as DEL, WALTCO and ZEPRO tail lifts.

[hiab.com](http://hiab.com)

Hiab is part of Cargotec.

[cargotec.com](http://cargotec.com)



© BD-XHIPRO232-EN-VW\_160806



[hiab.com](http://hiab.com)